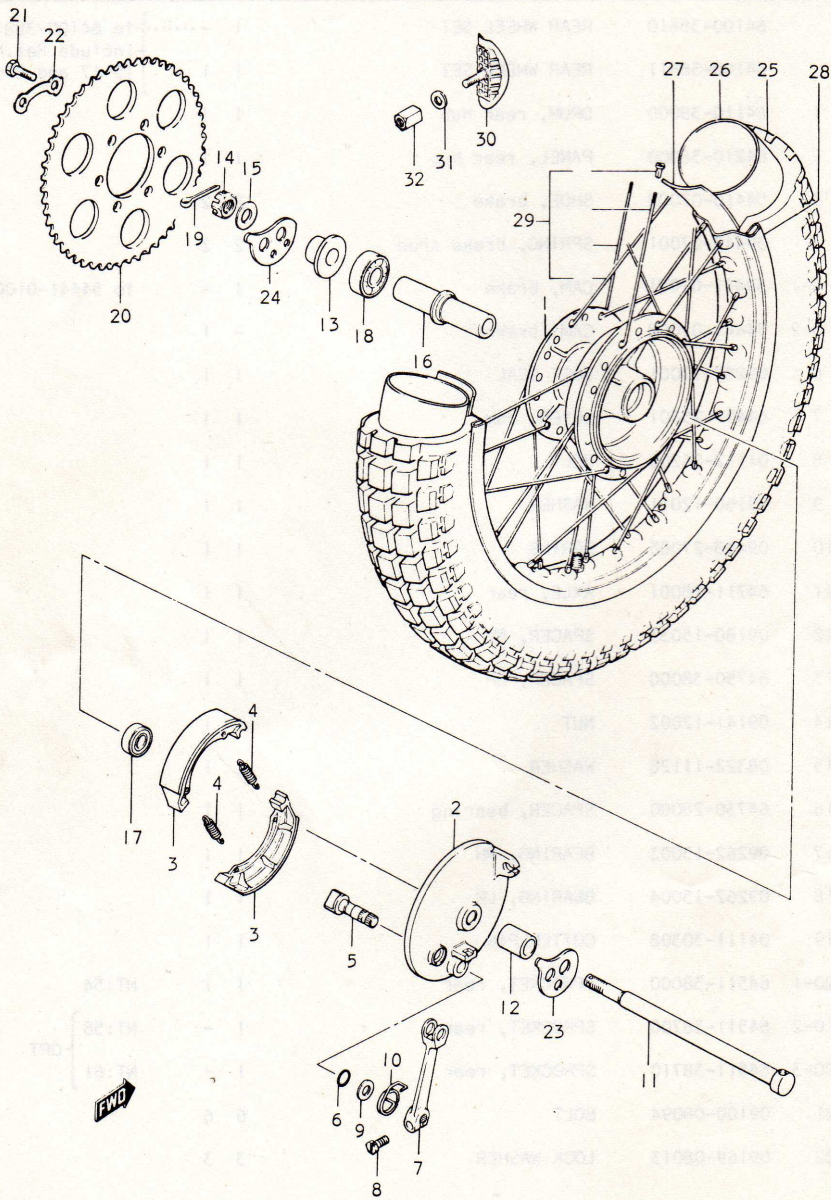


FIG. 22 REAR WHEEL



RL250

FIG.22 REAR WHEEL

Ref.No.	Part No.	Description	Q'ty		Remarks
			L	M	
	64100-38810	REAR WHEEL SET	1	-	} to 64100-38811 - Include Ref.Nos. 1, 15~17 and 27~33.
	64100-38811	REAR WHEEL SET	1	1	
1	64110-38000	DRUM, rear hub	1	1	
2	64210-38000	PANEL, rear hub	1	1	
3	54410-07002	SHOE, brake	2	2	
4	09443-07001	SPRING, brake shoe	2	2	
5-1	54441-07001	CAM, brake	1	-	to 54441-01002
5-2	54441-01002	CAM, brake	-	1	
6	09280-12001	DUST SEAL	1	1	
7	64451-25301	LEVER, cam	1	1	
8	01112-06208	BOLT	1	1	
9	09160-12011	WASHER	1	1	
10	09448-27005	SPRING	1	1	
11	64711-28001	AXLE, rear	1	1	
12	09180-15033	SPACER, RH	1	1	
13	64750-38000	SPACER, LH	1	1	
14	09141-12002	NUT	1	1	
15	08322-11128	WASHER	1	1	
16	64730-28000	SPACER, bearing	1	1	
17	09262-15003	BEARING, RH	1	1	
18	09262-15004	BEARING, LH	1	1	
19	04111-30308	COTTER PIN	1	1	
20-1	64511-38000	SPROCKET, rear	1	1	NT:54
20-2	64511-38700	SPROCKET, rear	1	-	NT:58
20-3	64511-38710	SPROCKET, rear	1	-	NT:61
					} OPT
21	09100-08094	BOLT	6	6	
22	09169-08013	LOCK WASHER	3	3	

RL250

005 JR

