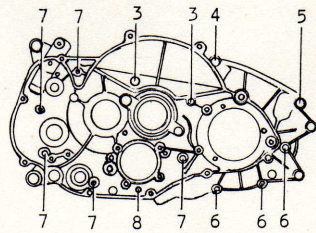
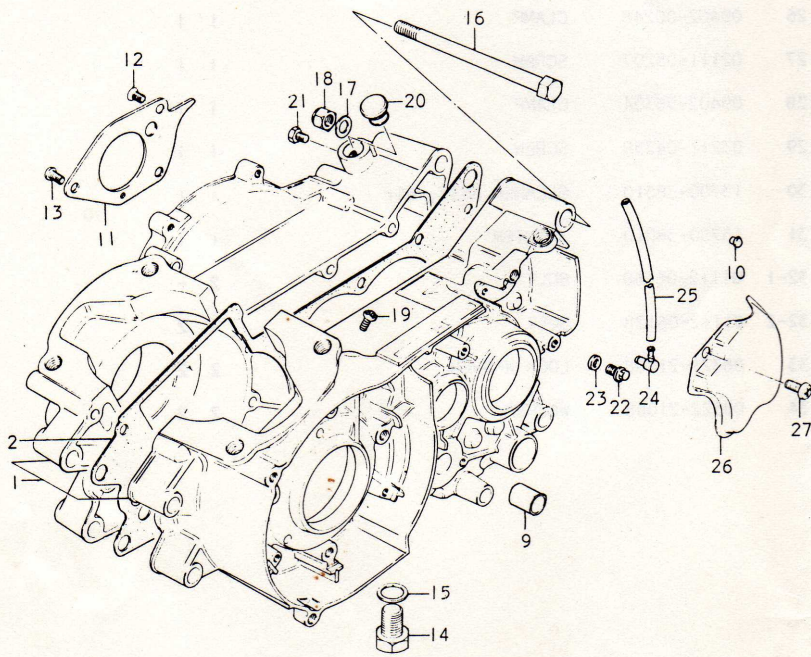


FIG.2 CRANKCASE



RL250

FIG.2 CRANKCASE

| Ref.No. | Part No. | Description | Q'ty | | Remarks |
|---------|-------------|-------------------------|------|---|-----------------------|
| | | | L | M | |
| 1-1 | 11300-38810 | CRANKCASE ASSY | 1 | - | to 11300-38811 |
| 1-2 | 11300-38811 | CRANKCASE ASSY | 1 | - | Not include Ref.No.10 |
| 1-3 | 11300-38812 | CRANKCASE ASSY | 1 | 1 | to 11300-38812 |
| | | | | | Include Ref.No.10 |
| 2 | 11481-30000 | GASKET, crankcase | 1 | 1 | |
| 3 | 02122-06758 | SCREW | 2 | 2 | |
| 4 | 02112-06708 | SCREW | 1 | 1 | |
| 5 | 02112-06657 | SCREW | 1 | 1 | |
| 6 | 02112-06508 | SCREW | 3 | 3 | |
| 7 | 02112-06458 | SCREW | 5 | 5 | |
| 8 | 02112-06358 | SCREW | 1 | 1 | |
| 9 | 09206-13001 | PIN | 2 | 2 | |
| 10 | 09250-06001 | PLUG, crankcase | 1 | 1 | |
| 11 | 12561-30001 | PLATE, oil reserver | 1 | 1 | |
| 12 | 02122-06168 | SCREW | 2 | 2 | |
| 13 | 02112-06168 | SCREW | 1 | 1 | |
| 14 | 09247-14007 | DRAIN PLUG | 1 | 1 | |
| 15 | 09168-14004 | GASKET | 1 | 1 | |
| 16 | 09100-10060 | BOLT | 2 | 2 | 10x120 |
| 17 | 08322-11108 | WASHER | 2 | 2 | |
| 18 | 09159-10011 | NUT | 2 | 2 | From 09159-10001 |
| 19 | 02112-06068 | BOLT, LH crankcase hole | 1 | 1 | |
| 20 | 09250-14002 | PLUG | 1 | 1 | |

RL250

FIG.2 CRANKCASE

| Ref.No. | Part No. | Description | Q'ty | | Remarks |
|---------|-------------|---------------------|------|---|---------|
| | | | L | M | |
| 21 | 09100-06005 | BOLT | 1 | - | 6x6 |
| 22 | 01511-06108 | BOLT | - | 1 | |
| 23 | 09168-06003 | GASKET | - | 1 | |
| 24 | 16910-31000 | PLUG, bleather | 1 | - | |
| 25 | 09343-02009 | HOSE, bleather | 1 | - | L:600 |
| 26 | 11385-30000 | CAP, oil inspection | 1 | 1 | } OPT |
| 27 | 02112-06108 | SCREW | 2 | 2 | |



RL250